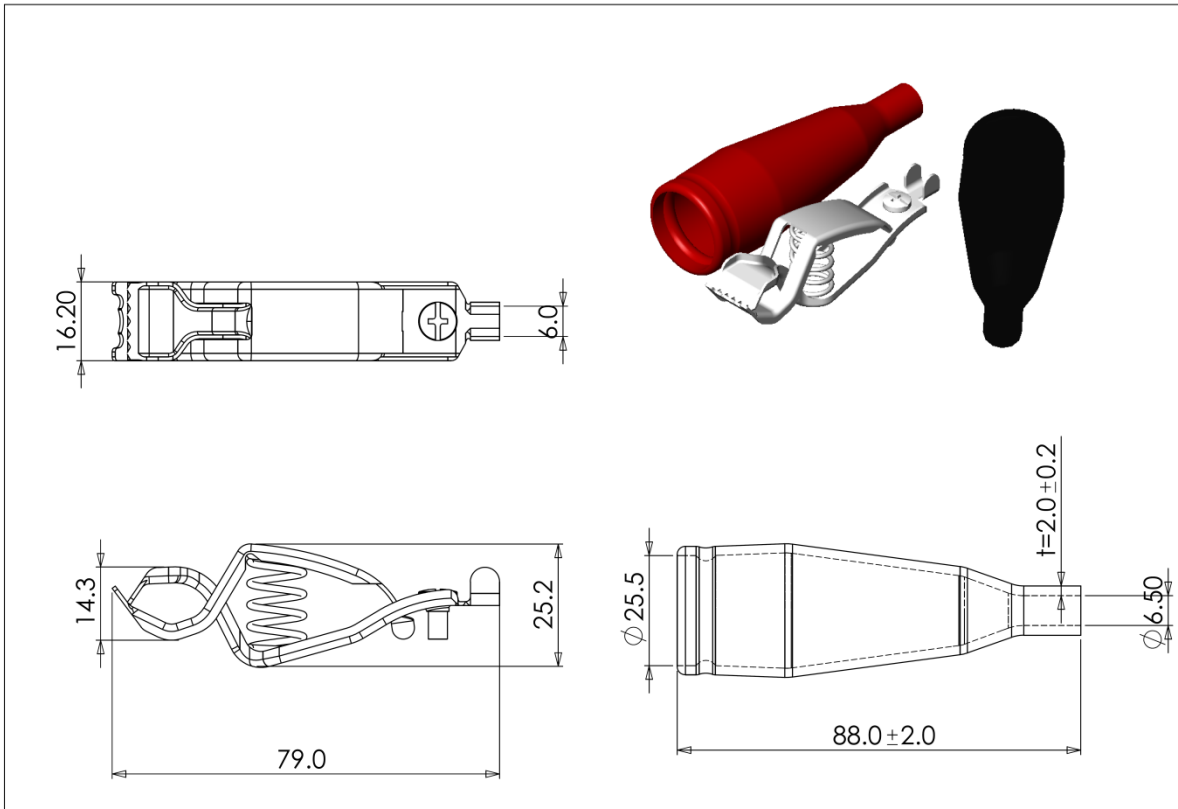


YE-2035 25A BATTERY CLIP



MATERIALS :

1. MAIN BODY :
STEEL NICKEL PTD.
2. SHELL COVER :
PVC
3. SPRING:
STEEL NICKEL PLATED

俞昌有限公司 YEU TSANG CO. LTD.	品名: ITEM:	YE-2035 25A Battery clip			一般公差 .X +/-0.25 .XX +/-0.10	SHEET: 	單位: unit:	mm	日期: date:	'07/01/23	繪圖: drwn by:	DanielShyr
	料號: PART NO.	YE-2035	圖號: DRW NO.			比例: scale:	1:1	版本: version:	V. 1.0	核准: aprvd by:	SkyShyr	